

# PRODUCT INFORMATION

## RIM MOUNT ELECTRIC DOOR STRIKE



**FES15M**

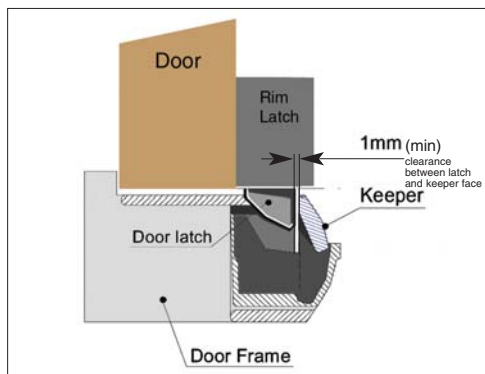
- ◆ 12VDC & 24VDC dual voltage continuously rated coil
- ◆ Simple power to lock/power to release interchange
- ◆ Weather resistant (FES15 only) IP56
- ◆ 5 year warranty
- ◆ Monitoring of door latch 24V/100mA contacts (FES15M)
- ◆ Superior holding strength
- ◆ Surface mount for "RIM" locks
- ◆ Easy installation
- ◆ Anti tamper contact (patented)
- ◆ C E/C-Tick

### PRODUCT DESCRIPTION

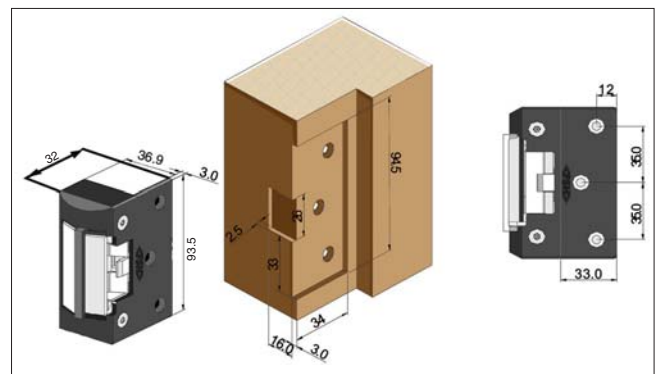
The patented FES15/15M electric door strikes are designed to provide simple low cost, high quality electric locking solutions for "RIM" or surface mount mechanical door locks. The device can be interchanged power to lock (P.T.L.) or power to release (P.T.R.) at site and can be supplied with door lock tongue monitoring (FES15M). Changeover from power to lock (P.T.L.) to power to release (P.T.R.) is carried out in an identical manner to that of the FES10 strike, "Barbell" reversal. The changeover is achieved without removal of the strike body through a patented screw cap feature. Independently tested, the FES15/15M Series electric strike are the strongest of their category.

**FES15** - identical to the FES15M but without monitoring features

| PART No.        | FES15M  | FES15         |
|-----------------|---|---------------|
| FUNCTION        | Surface mount electric strike for rim latch control |               |
| HOLDING FORCE   | Over 1252kg   |               |
| VOLTAGE/CURRENT | Dual voltage 12VDC/200mA 24VDC/100mA                |               |
| APPROVALS       | 2 hour fire rating                                  |               |
| MONITORING      | Door latch monitoring<br>Anti Tamper - Monitoring   | Non monitored |
| SIZE            | L= 93.5 x W= 40 x D= 32mm                           |               |
| WEIGHT          | 0.45kg  |               |
| UNITS PER BOX   | 25 per box (10kg)                                   |               |



Mechanical door lock configuration



Timber door frame cut out