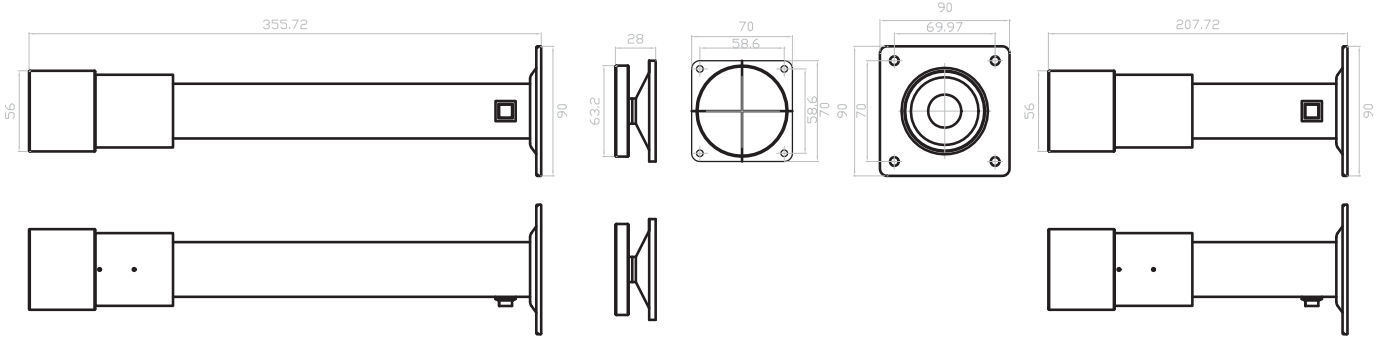


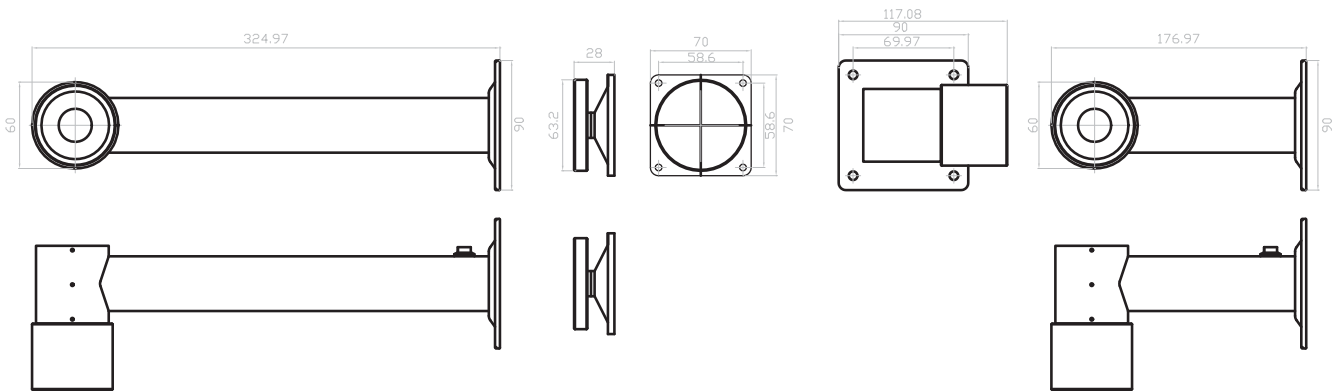
# PRODUCT INFORMATION

## HEAVY DUTY MAGNETIC DOOR HOLDER FIRE RATED WITH EXTENSION



35770/300/S  
35771/300/S

35770/150/S  
35771/150/S



35770/300/90  
35771/300/90

35770/150/90  
35771/150/90

# PRODUCT INFORMATION

## HEAVY DUTY MAGNETIC DOOR HOLDER FIRE RATED WITH EXTENSION



**WALL MOUNT**  
 35770/150/S    35770/300/S  
 35771/150/S    35771/300/S

PART No.	35770/150/S	35771/150/S	35770/300/S	35771/300/S
FUNCTION	Heavy duty 150mm extension wall mount magnetic door holder		Heavy duty 300mm extension wall mount magnetic door holder	
HOLDING FORCE	Up to 40kg			
VOLTAGE/CURRENT	12VDC/100mA	24VDC/50mA	12VDC/100mA	24VDC/50mA
SIZE	D= 207 x W= 90 x H= 90mm		D= 355 x W= 90 x H= 90mm	
WEIGHT	1.3kg			
UNITS PER BOX	1 per box			



**FLOOR MOUNT**  
 35770/150/90    35770/300/90  
 35771/150/90    35771/300/90

PART No.	35770/150/90	35771/150/90	35770/300/90	35771/300/90
FUNCTION	Heavy duty 150mm 90° extension, wall & floor mount magnetic door holder		Heavy duty 300mm 90° extension, wall & floor mount magnetic door holder	
HOLDING FORCE	Up to 40kg			
VOLTAGE/CURRENT	12VDC/100mA	24VDC/50mA	12VDC/100mA	24VDC/50mA
SIZE	D= 117 x W= 90 x H= 176mm		D= 117 x W= 90 x H= 324mm	
WEIGHT	1.5kg			
UNITS PER BOX	1 per box			